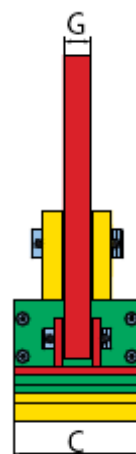
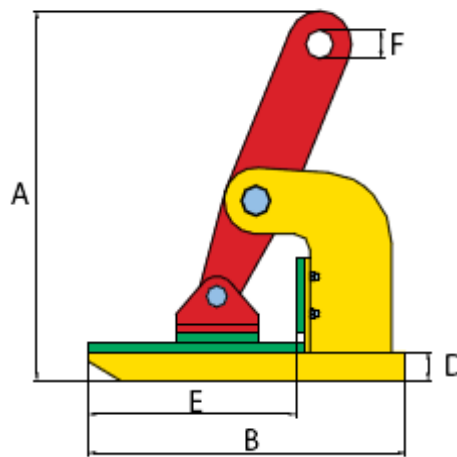


CLESTI / CLEME DE RIDICARE SI MANEVRARE ORIZONTALI MODEL TNMH PRODUCTIE TERRIER



MODEL	NUMAR REFERINTA	CAPACITATE PERECHE (kg)	DESCHIDERE (R) mm	A	B	C	D	E	F	G	GREUTATE PROPRIE (kg)
1 TNMH	54B040100A	1000	0 - 25	154	140	65	15	95	20	15	3,5
2 TNMH	54B040200A	2000	0 - 45	270	225	90	23	150	30,5	15	9
3 TNMH	54B040300A	3000	0 - 45	275	225	90	28	160	30,5	15	13
4 TNMH	54B040400A	4000	0 - 50	305	250	105	28	160	30,5	20	16
6 TNMH	54B040600A	6000	0 - 50	310	250	120	33	160	30,5	20	17