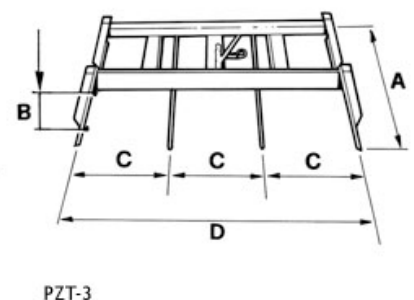
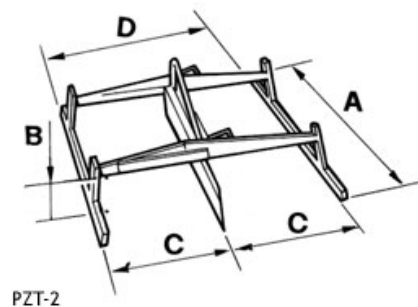
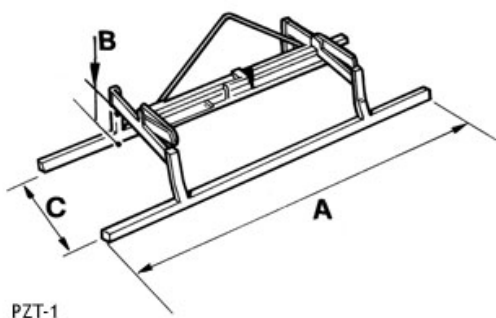


CLESTI DE RIDICARE

TIGLA 1,2,3 RANDURI

MODEL PZT





Model clesti	Capacitate (Kg.)	Dimensiuni (mm)				Greutate Proprie (kg)
		A	B	C	D	
PZT-1	200	1070	150	360	-	22
PZT-2	400	1070	150	360	730	30
PZT-3	600	1070	150	360	1000	70